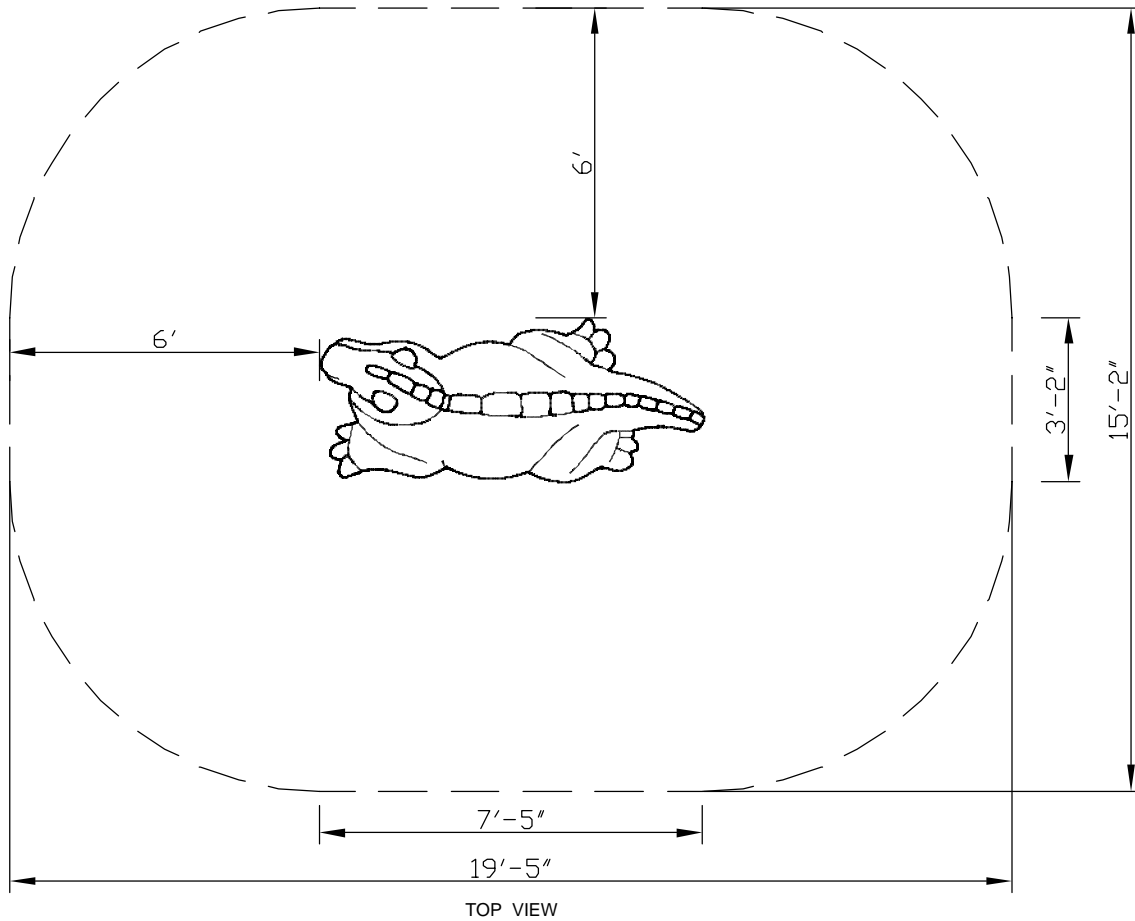




# Park Pets & Boulders

park and play structures

Park Pets & Boulders  
PO Box 32  
Pismo Beach, CA 93448  
Phone: 805-434-2305  
Fax: 805-434-2369  
www.parkpets.com



MINIMUM AREA REQUIRED  
19'-5" X 15'-2"

NOTES:

1. INSTALLATION TO BE COMPLETED IN ACCORDANCE WITH MANUFACTURER'S SPECIFICATIONS.
2. DO NOT SCALE DRAWINGS.
3. THIS PLAY AREA & EQUIPMENT IS DESIGNED FOR AGES 2 TO 5 YEARS.
4. ALL PARK PETS & BOULDERS MUST BE INSTALLED OVER RESILIENT "SAFETY" SURFACING APPROPRIATED TO THE SAFETY GUIDELINES OF YOUR CITY, COUNTY, STATE, OR COUNTRY.

**Park Pets**  
DRAGON